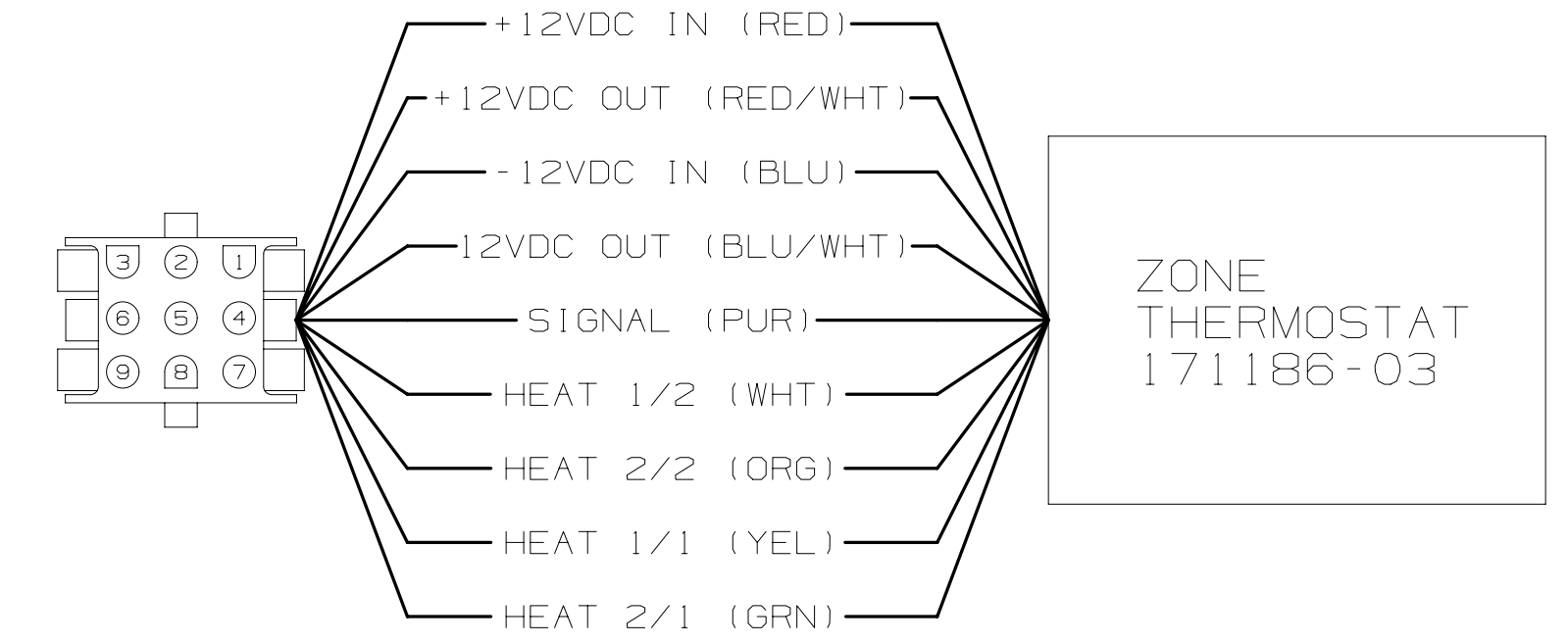
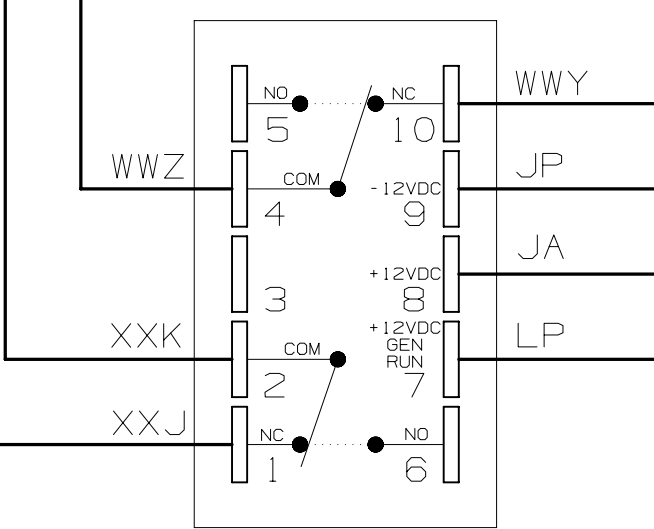
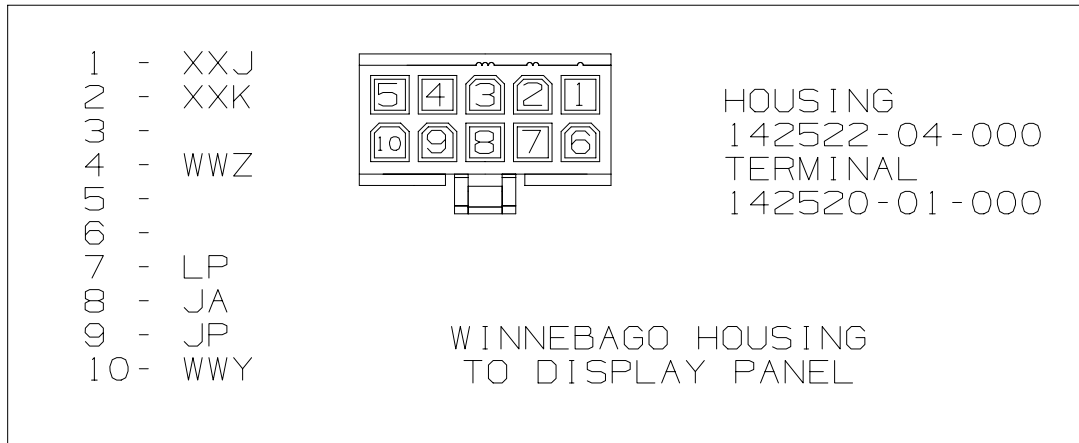
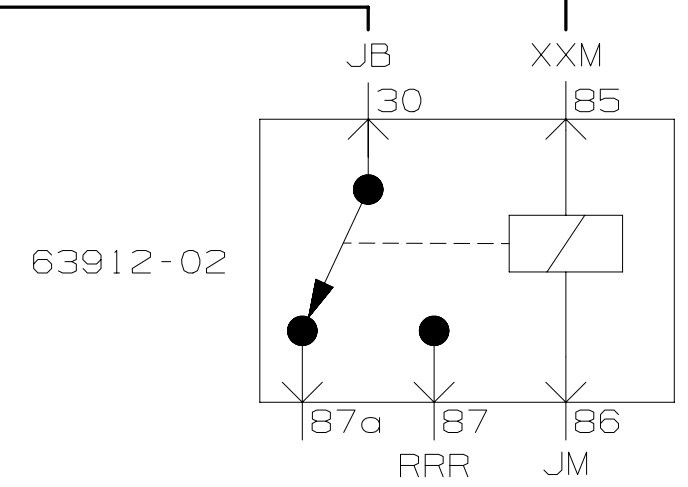
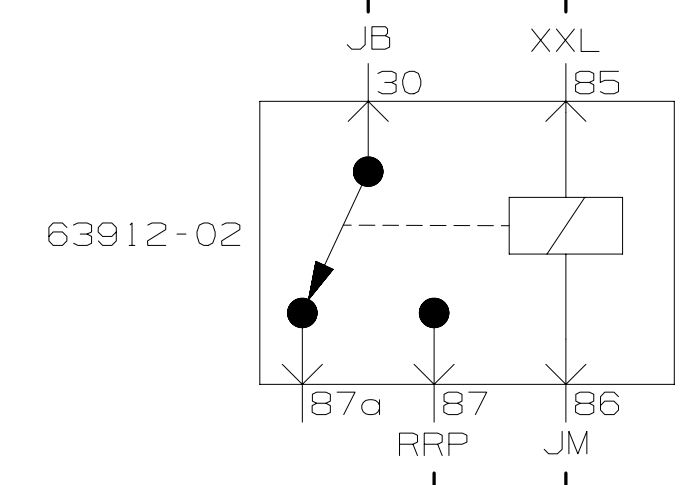


- 1- JB
- 2- WWV
- 3- JM
- 4- WWW
- 5- WWX
- 6- XXM
- 7-
- 8- XXL
- 9-

- 1- +12VDC IN (RED)
- 2- +12VDC OUT (RED/WHT)
- 3- -12VDC IN (BLU)
- 4- -12VDC OUT (BLU/WHT)
- 5- SIGNAL (PUR)
- 6- HEAT ZONE #1 STAGE #2 (HIGH) (WHT)
- 7- HEAT ZONE #2 STAGE #2 (HIGH) (ORG)
- 8- HEAT ZONE #1 STAGE #1 (LOW) (YEL)
- 9- HEAT ZONE #2 STAGE #1 (LOW) (GRN)



- UUH - TO AUTO GENERATOR START PANEL
- WWT - TO REAR TEMP SENSOR
- WWU - TO REAR TEMP SENSOR
- TTG - TO FRONT TEMP SENSOR (OPTIONAL)
- TTH - TO FRONT TEMP SENSOR (OPTIONAL)
- RRP - TO LP FURNACE (LOW SPEED)
- RRR - TO LP FURNACE (HIGH SPEED)
- JB - TO COACH 12V BREAKER
- LP - TO GENERATOR HOUR METER
- JA - TO COACH 12V BREAKER



- 1 - AIR COND 1 NC
- 2 - AIR COND 1 COM
- 3 - NO CONNECT
- 4 - AIR COND 2 COM
- 5 - AIR COND 2 NO
- 6 - AIR COND 1 NO
- 7 - GEN SET RUN
- 8 - COACH BAT
- 9 - GROUND
- 10 - AIR COND 2 NC

- NOTES:**
- 3** ZONE #1 TEMPERATURE SENSOR IS OPTIONAL. IT IS USED WHEN THE THERMOSTAT IS IN A POOR TEMPERATURE SENSING LOCATION. WHEN THE REMOTE SENSOR IS ADDED IT OVERRIDES THE SENSOR ON THE THERMOSTAT.
 - 2** EVAPORATOR FREEZE PREVENTION THERMOSTAT CONNECTION. PROVIDED BY A/C MANUFACTURER.
 - 1** OPTIONAL TIME DELAY MODULE USED WHEN 2 A/C'S ARE ON THE SAME ZONE TO PREVENT BOTH UNITS FROM STARTING AT THE SAME TIME